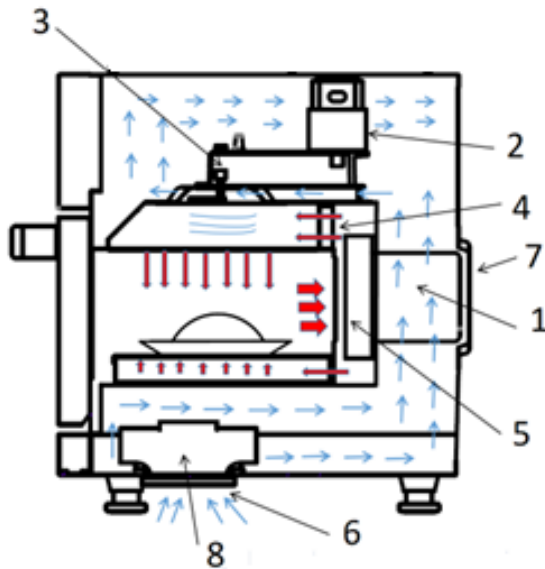




NT-SiTngs-N



- |                     |                    |
|---------------------|--------------------|
| 1. Motor            | 5. Heating element |
| 2. Magnetron        | 6. Air filter      |
| 3. Stirrer          | 7. Exhaust port    |
| 4. Catalytic filter | 8. Cooling fan     |

## Product Overview

The **NopeinOven**<sup>®</sup> range of ovens is designed to provide customers with fast, energy-efficient, easy-to-operate cooking solutions that allow them to handle peak meal times with ease.

The **NopeinOven**<sup>®</sup> combines microwave, hot air impingement and smart cooking technologies to deliver fast cooking without compromising on food quality, while saving energy and reducing space requirement.

## Exterior Construction

- Classic design, fully enhances the space utilization rate
- Choice of painted housing or stainless steel housing
- Ergonomic integrated door handle, simple and stylish
- Heat sink system to keep the housing below 55°C
- 2-inch adjustable feet

## Internal construction

- 304 stainless steel chamber
- Butt-welded, heat insulated chamber
- Smooth design on the bottom of the chamber for easy cleaning

## Standard Features

- Microwave system on top
- Single magnetron with stirrer for uniform microwave distribution
- Built-in catalytic filter, removable and replaceable
- External air filter
- More reliable door hinges, easy for door opening
- 7-inch touch screen+
- Intelligent cooking system with 250 recipes+ storage
- WIFI / USB data: Download / Upload software and menu recipe
- Access to single-phase electricity
- Oven self-diagnostic function
- Integrated Wi-Fi

## Standard accessories

- 1 pizza pan
- 1 teflon mesh basket
- 1 round teflon mesh pad
- 1 shovel
- Grill plate



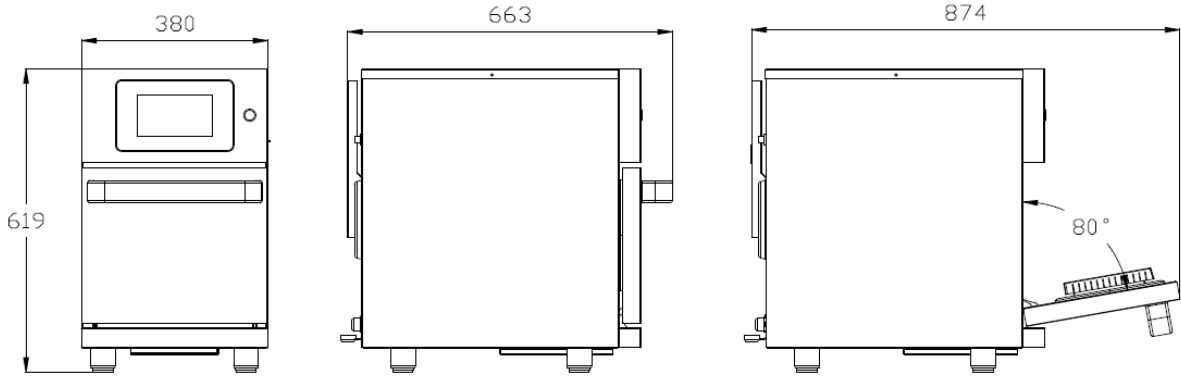
IOT WIRELESS  
INTERCONNECTION



Nopein Techniques(Guangzhou) Co., Ltd.  
1 Lai'an 1 Street, Huangpu District  
Guangzhou 511356, P.R.China  
National after-sales service call: 400-833-7300

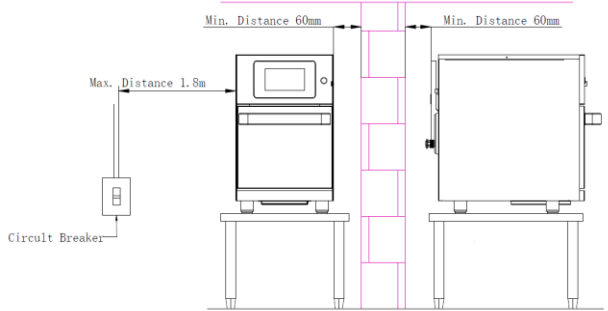


TEL:(86)-20-3215-5160, FAX:(86)-20-3217-1316  
[www.nopeinoven.com](http://www.nopeinoven.com)  
E-mail: [info@nopeinoven.com](mailto:info@nopeinoven.com)  
Copyright©Nopein Techniques(Guangzhou) Co., Ltd.



**Installation Instructions:**

- Choose a place away from heat sources. Do not place in an area where has a grill, fryer, griddle, etc.
- If there is a heat source such as a stove next to the oven, an heat insulated panel above the height of the oven must be provided.
- Place the oven on a non-slip, non-combustible platform that is level and stable and can support the entire weight of the oven.
- There must be at least a 60mm gap on the back of the oven and at least 140mm of space on the top for heat dissipation of the oven
- There must be sufficient clearance at the front of the oven to allow the door to be opened and closed.
- Incorrect installation may invalidate the warranty of the appliance.



Model	NT-Si Tngs-N
Product size WxDxH (mm)	380×663×619
Chamber size WxDxH	317×315×188 (12.5" × 12.4" × 7.4" )
Capacity (L)	18L
N.W. (KG)	59kg
Rated power (kW)	3.5
Voltage (V)	208-240V
Frequency (Hz)	50/60Hz
Control panel	7" touch screen
Recipes memory	250+
Cooking stage	10
Cooking mode	Microwave + hot air impingement
*Microwave power(kW)	1.5
Impingement power(kW)	3
Impingement (Grade)	5%/Grade
Max.cooking Temp.(°C)	280
IP Rating	IPX3
Standard Color	Stainless steel/Black
Optional Color with MOQ (Please consult with factory)	Red, Coffee Brown

Size	
Exterior size	
Width	380mm
Depth	663mm
Height	619mm
N. W.	59kg
Chamber	
Width	317mm (12.5" )
Depth	315mm (12.4" )
Height	188mm (7.4" )
Capacity	18L
Clearance	
Top	140mm
Back	60mm
Shipping Package	
Oven is packed into a heavy duty cardboard box with pallet	
Package size: 770mm×485mm×H750mm	
Gross weight (approx.): 71kg	

Electrical data	
Multiphase	
China	220VAC, 50Hz, 15A Max. input power3.5kW Microwave: 1.5kW Heating element: 3.0kW

