

## Steam Cabinet

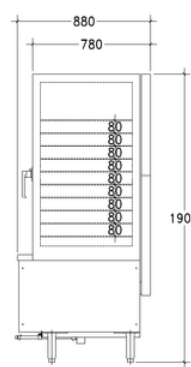
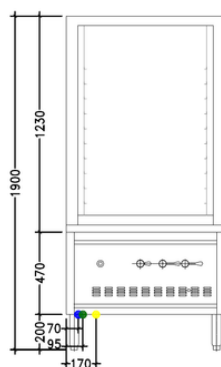
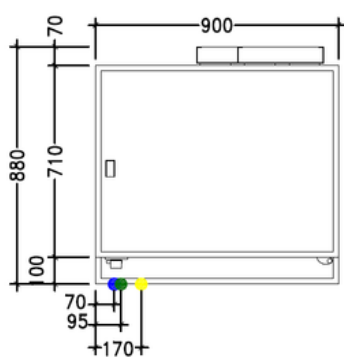


**MODEL : TF-S-1DS-20**

### Key Parameters

MODEL	SERIES	DIMENSIONS (MM)	PACKING DIMENSION (MM)	GROSS WEIGHT (KG)	CAPACITY	GAS TYPE	BURNER QTY	BURNER RATING (KW)	FUEL CONNECTION	FAN BLOWER	VOLTAGE	WATER INLET	DRAINAGE
									Ø27mm	NA	NA	Ø15mm	Ø38mm
TF-S-1DS-20	Single Door Steam Cabinet (Multipurpose)	900x880x1900	1020x1020x2200	266	20 x GN1/1 (Max 65mmH)	Town Gas	3	15 X 3 = 45	Ø27mm	NA	NA	Ø15mm	Ø38mm
						LPG							
						Natural Gas							

### Product Dimension Chart



**MODEL : TF-S-1DS-20**

### Gas Type

Town Gas

LPG Liquefied Propane Gas

Natural Gas

